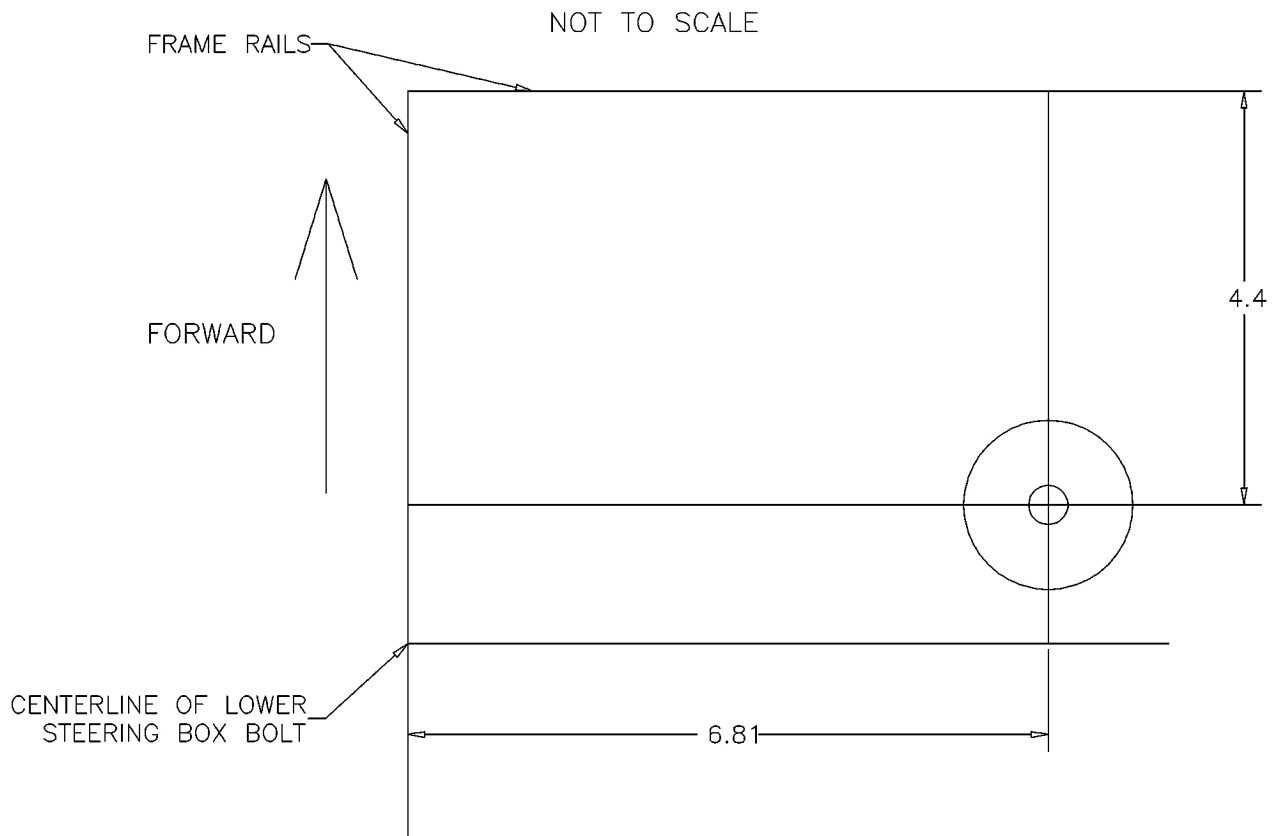




SpeedDirect  
1901 S FM 129  
Santo, TX 76472  
www.speeddirect.com  
sales@speeddirect.com  
(888) 425-2776

## Steeroids Rack & Pinion Conversion Kit Header Clearance Template for 1967 - 1969 Camaro / Firebird & 1968 - 1974 Chevy II / Nova



### About SpeedDirect

Pioneers in improved handling for Corvettes and Muscle Cars, SpeedDirect is the manufacturer of Steeroids® Rack & Pinion Conversion Kits for Corvette, F & X Body, and Mustang, Shark Bite® Suspension & Handling Components for C2 & C3 Corvettes, Vector Series™ Handling Components for classic Mustangs, and Rod Links™ Clutch Linkages for cars & trucks. In business since 1994, all SpeedDirect products are proudly Made in the U.S.A.

We Put Fun In Every Corner!

###